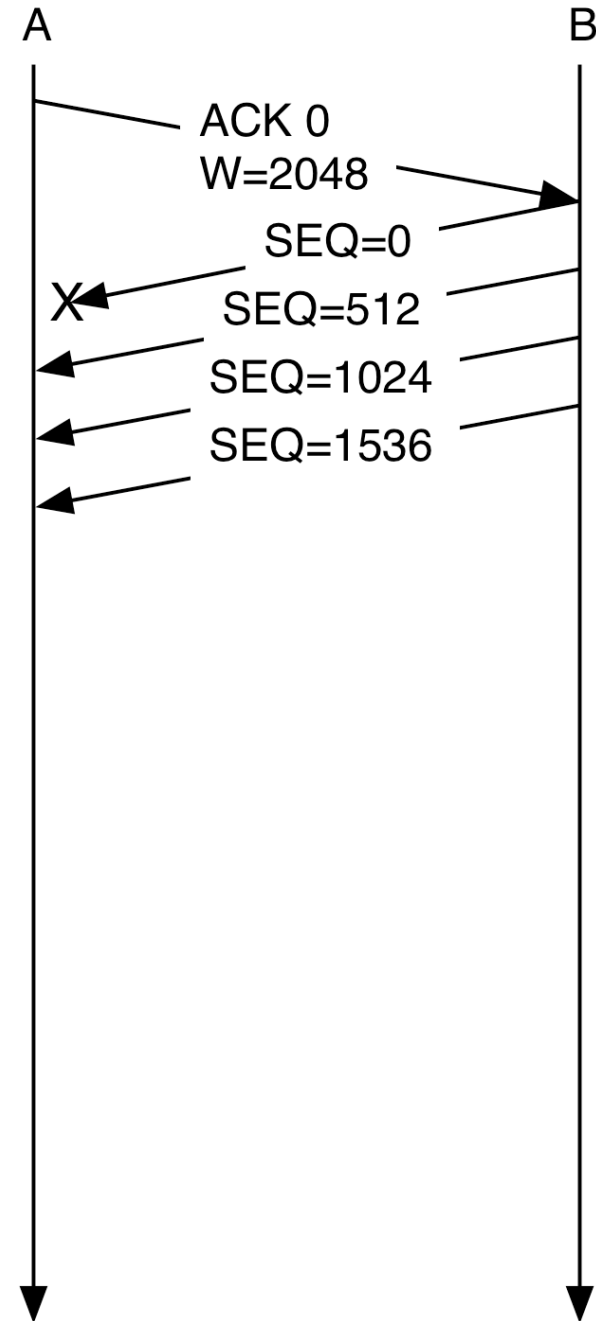


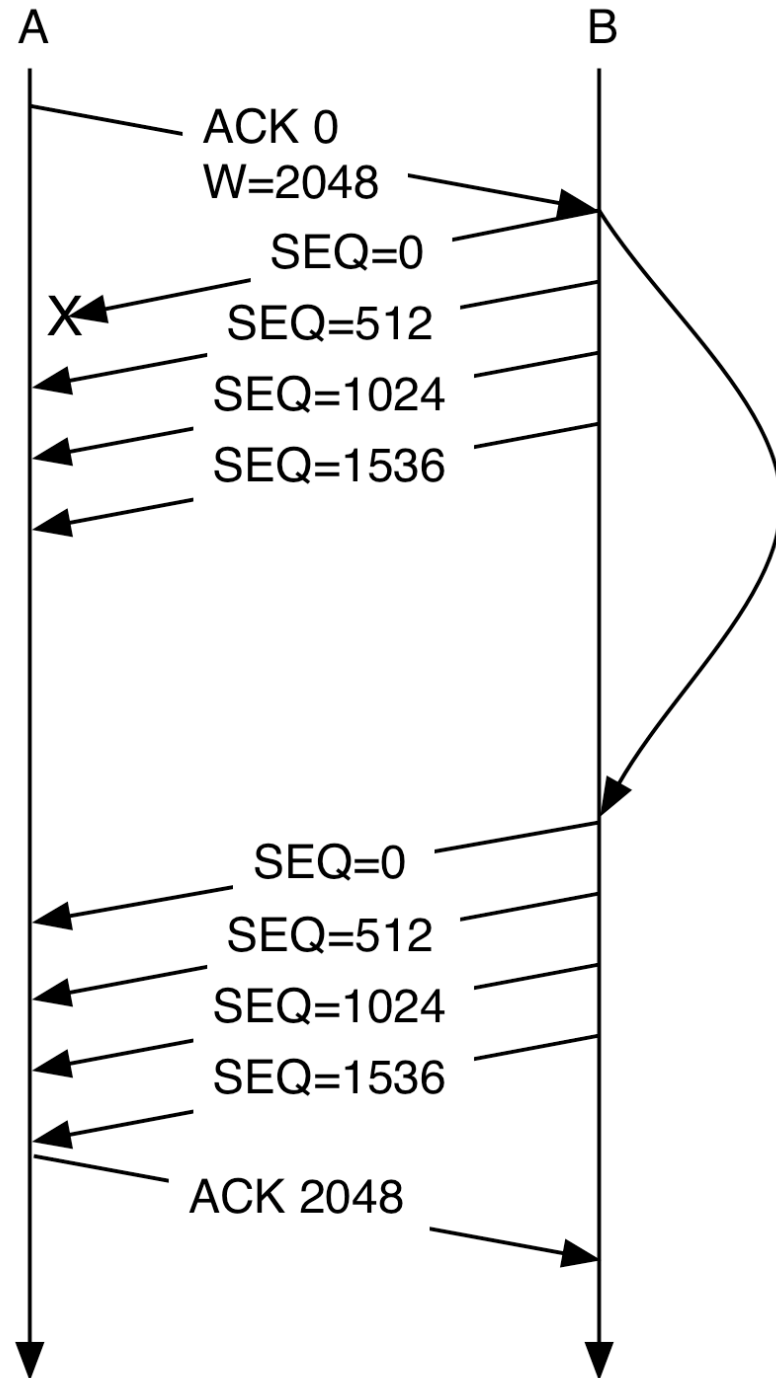
Question

- Finish the following exchanges by assuming:
 - the protocol basically behaves as TCP
 - the protocol uses the principle of Go-back-N



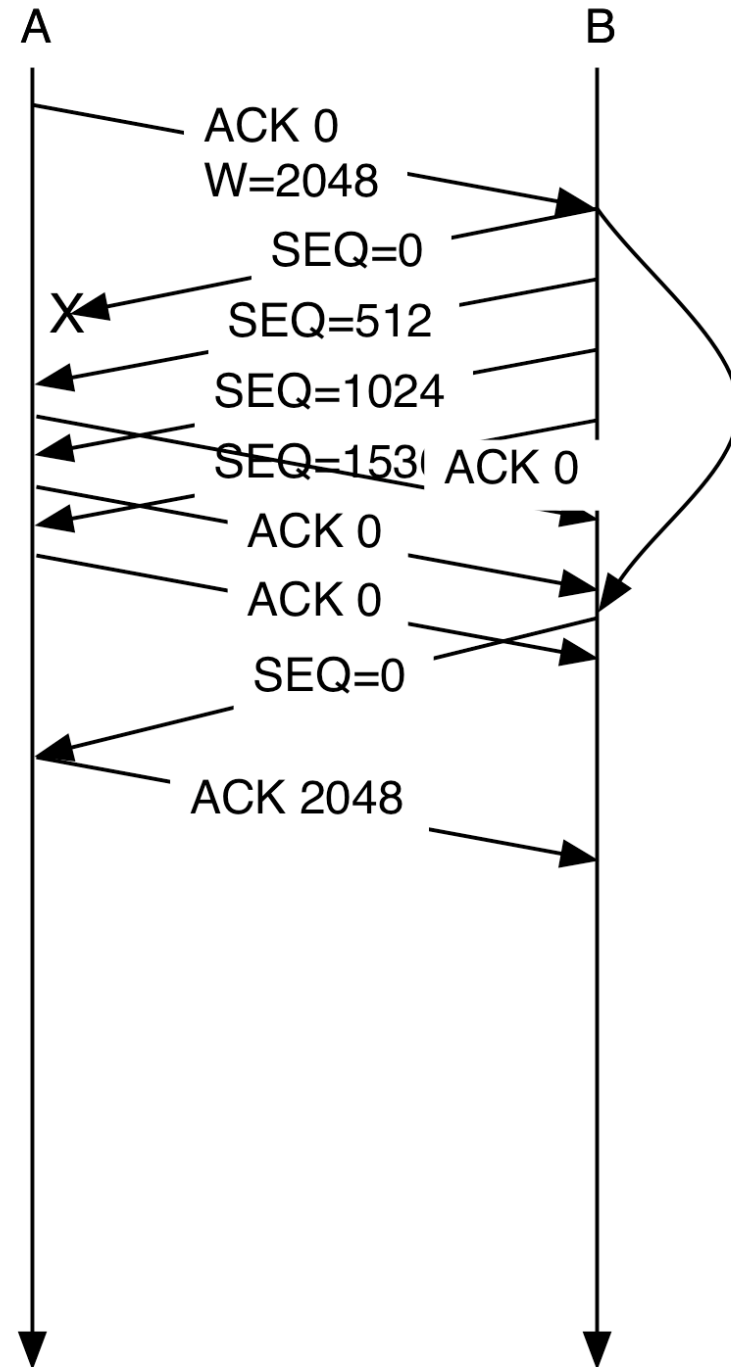
Answer

- Go-back-N



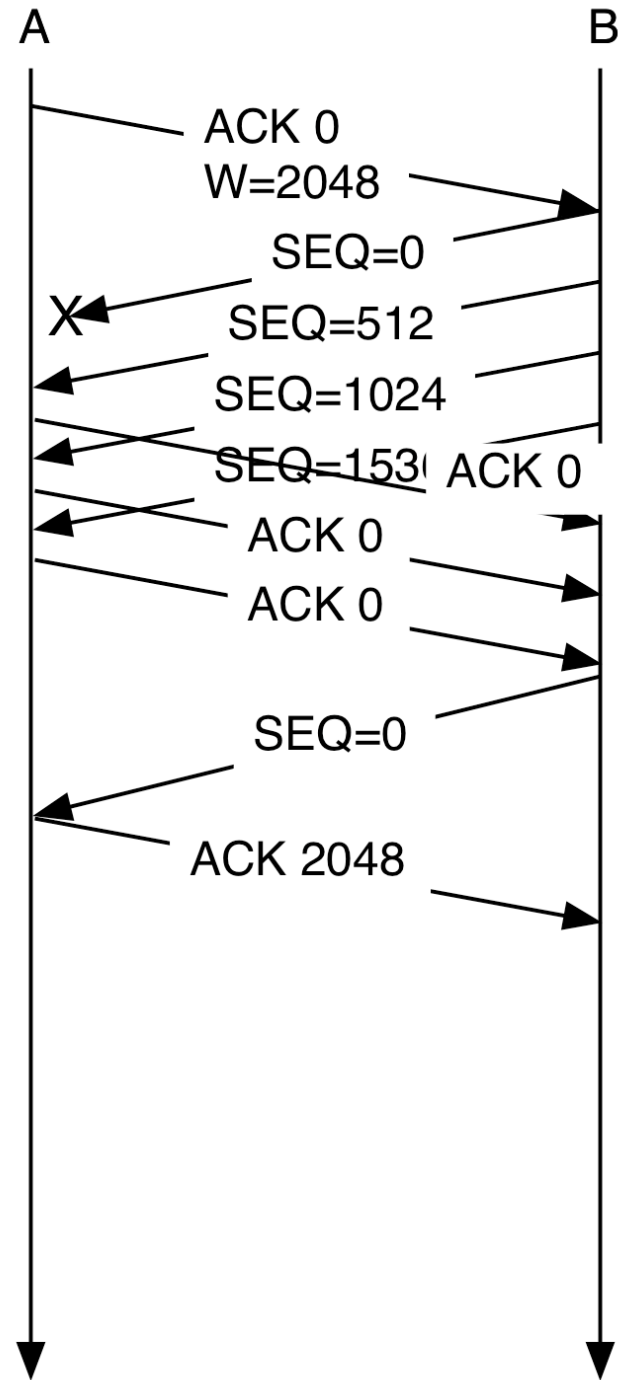
Answer

- TCP - loss detected on timer



Answer

- TCP - fast retransmit



Answer

- TCP - selective retransmit

