

1 Bridges

Consider the network in Fig. 1. It is composed of 4 bridges 802.1d. We initialize the bridges at the same instant and observe them at some instants corresponding to processing of received messages and generation of new configuration messages. Complete the sequences in the tables below with generated configuration messages and the state of the ports.

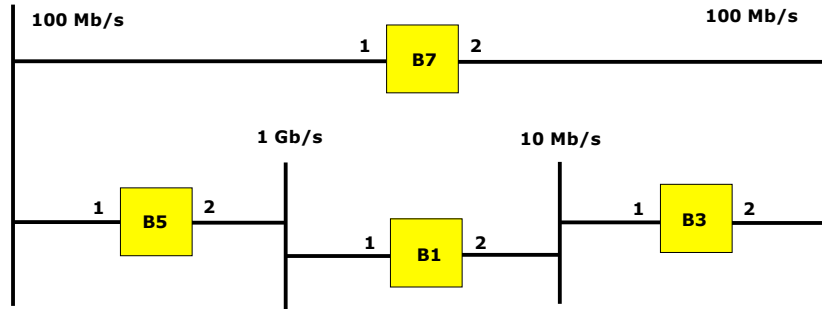


Figure 1: Example network of bridges

B1		B3		B5		B7	
msg	port state	msg	port state	msg	port state	msg	port state

1 Bridges

Consider the network in Fig. 1. It is composed of 4 bridges 802.1d. Links on ports 1 and 2 have capacity of 1 Gb/s and on port 3, capacity of 100 Mb/s. We initialize the bridges at the same instant and observe B3 and B4 at some instants corresponding to processing of received messages and generation of new configuration messages. Complete the sequences in the tables below with generated configuration messages and the state of the ports.

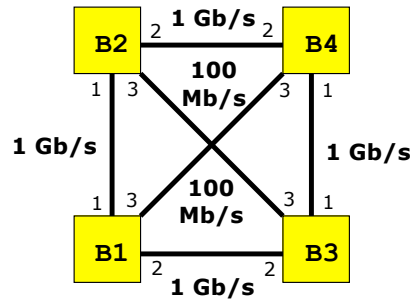


Figure 1: Example network of bridges

B3		
	msg	state of the ports
generated msg :		
msg received on 3 :	2.0.2	
generated msg :		
msg received on 1 :	4.0.4	
generated msg :		
msg received on 3 :	1.4.2	
generated msg :		
msg received on 1 :	1.8.4	
generated msg :		
msg received on 2 :	1.0.1	
generated msg :		
B4		
	msg	state of the ports
generated msg :		
msg received on 3 :	1.0.1	
generated msg :		
msg received on 1 :	3.0.3	
generated msg :		
msg received on 2 :	2.0.2	
generated msg :		
msg received on 1 :	1.4.3	
generated msg :		
msg received on 2 :	1.4.2	
generated msg :		

1 Bridges

Consider the network in Fig. 1. It is composed of 4 bridges 802.1d. Links on ports 1 and 2 have capacity of 1 Gb/s and on port 3, capacity of 100 Mb/s. We initialize the bridges at the same instant and observe B3 and B4 at some instants corresponding to processing of received messages and generation of new configuration messages. Complete the sequences in the tables below with generated configuration messages and the state of the ports.

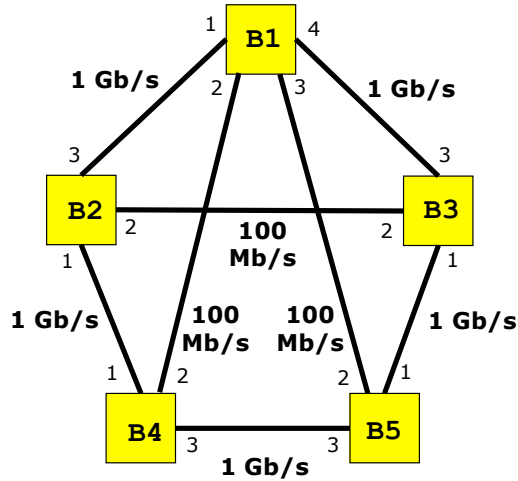


Figure 1: Example network of bridges

B4		
	msg	state of the ports
generated msg:		
msg received on 1:	2.0.2	
generated msg:		
msg received on 3:	5.0.5	
generated msg:		
msg received on 3:	1.19.5	
generated msg:		
msg received on 2:	1.0.1	
generated msg:		
msg received on 3:	1.8.5	
generated msg:		
msg received on 1:	1.4.2	
generated msg:		