

# 1 Bridges

Consider the network in Fig. 1. It is composed of 4 bridges 802.1d. We initialize the bridges at the same instant and observe them at some instants corresponding to processing of received messages and generation of new configuration messages. Complete the sequences in the tables below with generated configuration messages and the state of the ports.

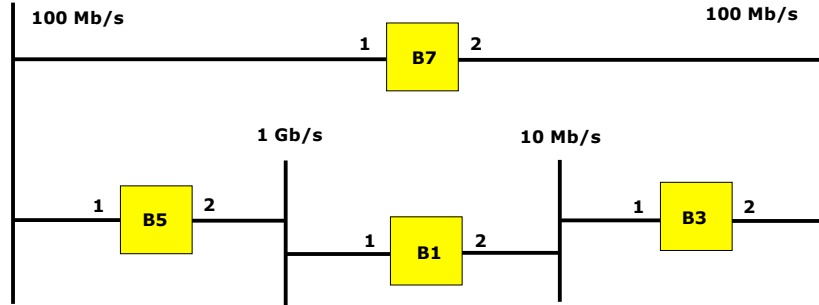


Figure 1: Example network of bridges

Solution:

Costs of links: 1 Gb/s - 4, 100 Mb/s - 19, 10 Mb/s - 100.

B1		B3		B5		B7	
msg	port state	msg	port state	msg	port state	msg	port state
1.0.1	1:d, 2:d	3.0.3	1:d, 2:d	5.0.5	1:d, 2:d	7.0.7	1:d, 2:d
1.0.1	1:d, 2:d	1.100.3	1:r, 2:d	1.4.5	1:d, 2:r	7.0.7	1:d, 2:d
1.0.1	1:d, 2:d	1.100.3	1:r, 2:d	1.4.5	1:d, 2:r	1.23.7	1:r, 2:d
1.0.1	1:d, 2:d	1.42.3	1:b, 2:r	1.4.5	1:d, 2:r	1.23.7	1:r, 2:d